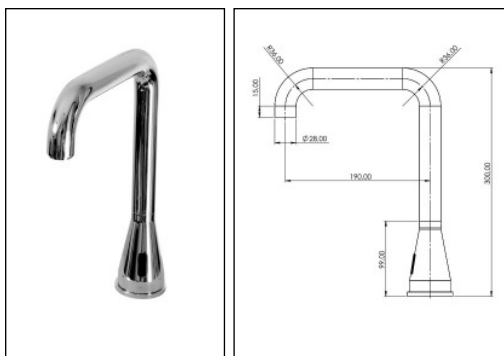




# LOex Sens-Inox Tonga2 T92S

Electronic self-closing pillar tap, swivel spout, single-pipe inlet for cold or pre-mixed water or with UT-mixture according to EU-RL, HACCP, LMHV.

## Installation version DMK



**Tendertext**  
 Non-contact self-closing DN 15  
 Washable-tap, stainless steel satin;  
 with rotating and lockable angular spout,  
 aerator\*, optosensor.  
 For premixed water (UT mixer).  
 Electronically controlled - with external  
 (Rhein/E7A) or integrated electronics  
 (Donau/E8A, Weser/E9A).  
 - rotatable and lockable (Fig.) ii  
**Outreach** 190 mm  
**Height of outlet opening from WT** 235 mm  
**Total height from WT** 300 mm

Operating version/ EAN-Number	article-number
<b>for 12V low-voltage mains operation -</b>	
- External electronics box "LOex Rhein", - integrated transformer - 12VAC	<b>A</b>
40 34154 02083 2	TG2SE7AT92ii19A5_DMK
- integrated electronic "LOex Donau", - external plug-in power supply unit - 12VDC	<b>B</b>
40 34154 02309 3	TG2SE8AST92ii19 5_DMK
-- integrated electronic "LOex Donau", - external Meanwelltransformer - 12VDC	<b>C</b>
40 34154 02310 9	TG2SE8ALT92ii19 5_DMK
<b>for 6VDC low-voltage mains operation -</b>	
- integrated electronic "LOex Weser", - external plug-in power supply unit 6VDC	<b>D</b>
40 34154 02311 6	TG2SE9AST92ii19 5_DMK
<b>for Battery-operated - 6VDC</b>	
- integrated electronic "LOex Weser", - external batterycontainer(for 4x1,5 AA-batteries)	<b>E</b>
40 34154 02312 3	TG2SE9ABT92ii19 5_DMK

\*Economy jet regulator up to < 6 ltr/min  
 a.A. against surcharge.



**Alternatives in powder coating**  
 Surcharge u.r., no minimum order quantity.  
 Signalred matt RAL 3001  
 Jetblack matt RAL 9005  
 Light Grey matt RAL 7035  
 Shades of colour in adjacent illustrations are not binding.

### Optional -



**Remote control for sensor controls  
 in direct current (DC)**  
 For adapting electronic parameters and activating  
 legionella flushing  
 - for LOex Donau and LOex Weser electronics -  
 40 34154 01393 3 Zb 073

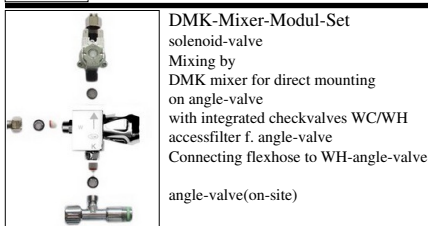
	Electronicbox LOex Rhein 12VAC 94x94x56 mm integrated transformer, powercord	<b>A</b>
	plugadaptor for LOex Donau 12VDC plugadaptor for LOex Weser 6VDC IP68-connector	<b>B</b> <b>D</b>
	Meanwell-transformer for LOex Donau 12VDC IP67; mains plug cable; IP68-connector Velcro or screw fastening	<b>C</b>
	Batterycontainer for 4x1,5V AA-Alkalibatteries, IP68-connector Velcro or screw fastening	<b>E</b>

Tapsocket - - rotateable and lockable	(ii)
Basisdiameter	59,5 mm
Tap hole diameter	35 mm
Quick fixing for panel thicknesses up to appr.	50 mm
Supply lines- Flexhose 3/8"cn	ca. 500 mm
E7 A cable to sensor	ca. 500 mm
cable to solenoid-valve	ca. 800 mm
cable with angled Schuko-plug	ca. 1000 mm
E8/E9 cable to source of energy	ca. 800 mm
cable to solenoid-valve	ca. 500 mm

Self-closing wash-table tap DN 15, stainless steel (AISI304L) matt brushed; electronically controlled, with single-pipe inlet for premixed water; with rotatable and lockable spouts, jet regulator. Activated by the optosensor integrated into the fitting. The electronic control systems -  
tap-integrated -  
 - LOex Donau[E8A] (12VDC, 9 W),  
 - LOex Weser[E9A] (6VDC, 2 W) -  
 Default programm, optional remote for activating legionella flushing and for adapting range, running times/intervals.  
 - Sources of energy -  
 - plugadaptors(12VDC resp. 6VDC)with IP68-connector  
 - MWTrafo 12VDC, IP67 with powercord and IP68-connector  
 - Batterycontainer for 4x1,5V AA-Alkalibatteries  
Extern of tap -  
 - LOex Rhein [E7A] with integrated transformer 12VAC, 5,6 VA. Box PVC 94x94x56mm in IP 65, with integrated transformer; powercord with plug; Operating default-system, reach-adaptor, 2-f. safety-switch-off; Mechanically switchable automatic legionella-flush.  
Solenoid-valves -  
 - mono-stabile 12VAC/DC, 2x3/8"m, Faston - for LOex Donau, Rhein  
 - bi-stabile 6VDC, 2x3/8"m, Faston - for LOex Weser  
 Flowrate ca. 19 Ltrs/min/3bar FD. Min. Flowpressure ca. 0,3bar.  
Mech. Pre-mixer (brass, chrome-plated) with RüVe (WW/KW) for direct mounting (DMK) on angle valve, connecting hose to angle valve. Filter inserts for 3/8" angle valves enclosed.  
 Typ: **LOex Tonga2**

Also adaptable for pressure-less usage.

Also for de-mineralised water  
 with electronic  
 LOex Donau E8/24VDC and  
 24VDC-solenoid-valve in stainless-steel.



**DMK-Mixer-Modul-Set**  
 solenoid-valve  
 Mixing by  
 DMK mixer for direct mounting  
 on angle-valve  
 with integrated checkvalves WC/WH  
 accessfilter f. angle-valve  
 Connecting flexhose to WH-angle-valve  
 angle-valve(on-site)

Subject to technical and price changes without prior notice. This offer is subject to change.  
 Our terms and conditions of sale and delivery apply exclusively.  
 Status May 2023

Previous offers have lost their validity.  
 Pricing: €/p.unit; ex warehouse, packed; net.

Delivery dates on request.

Place of jurisdiction for registered traders and persons under civil law:  
 Frankfurt/M.

Scope of delivery: Fitting as described, ready for installation, complete.

EU-USID: DE111985600



LOTZ Exim Trading

Sensortechnik für Küchen-, Catering-, Labor- und Sanitärbereiche.

Es gibt nur wenig, was sich so bezahlt macht.  
 - Für Sie und unsere Umwelt !